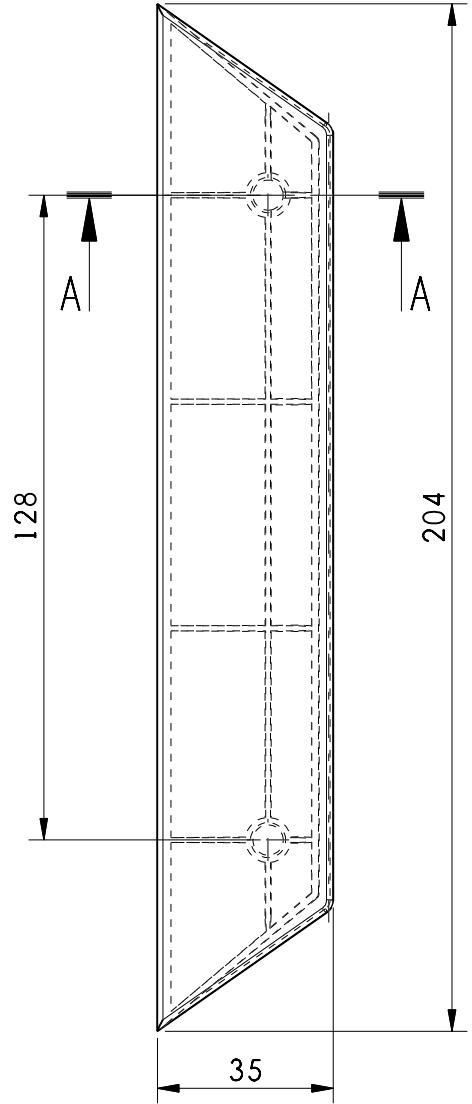
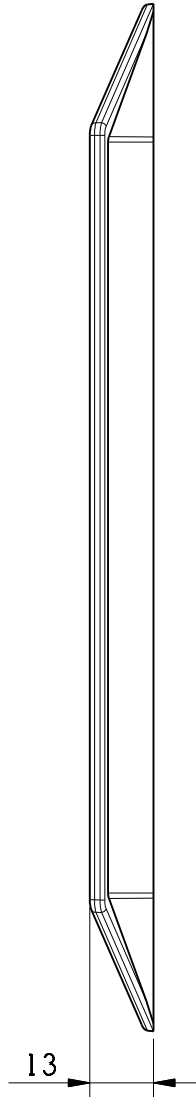
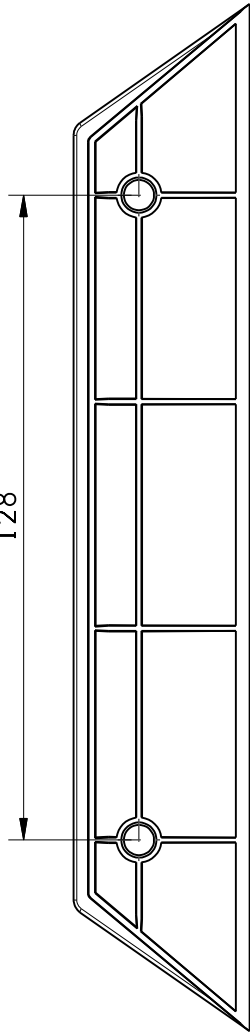
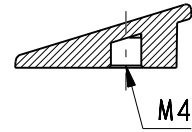

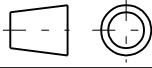


Sez. A-A



MATERIAL: ABS

REV	POSITION	DESCRIPTION	DATE	NAME
				
		 UNIT mm TYPE DRAFT DRAWING	CREATED BY ***** CREATION DATE *****	FORMAT A4 SCALE 1 : 1.5 REVISION *** SHEET 1 / 1
ART. 1065204		CLIENT *****	PART CODE *****	
PROJECT NAME *****		TOOL CODE *****	CHECKED BY *****	CHECKED_DATE *****

1 2 3 4 5

A

B

C

D

E

F

G

A

B

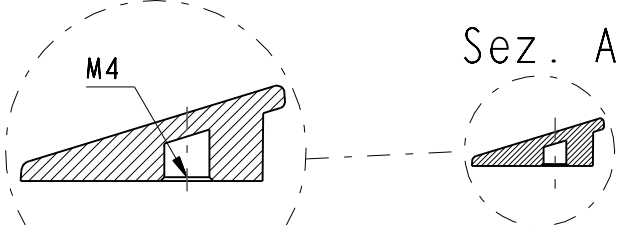
C

D

E

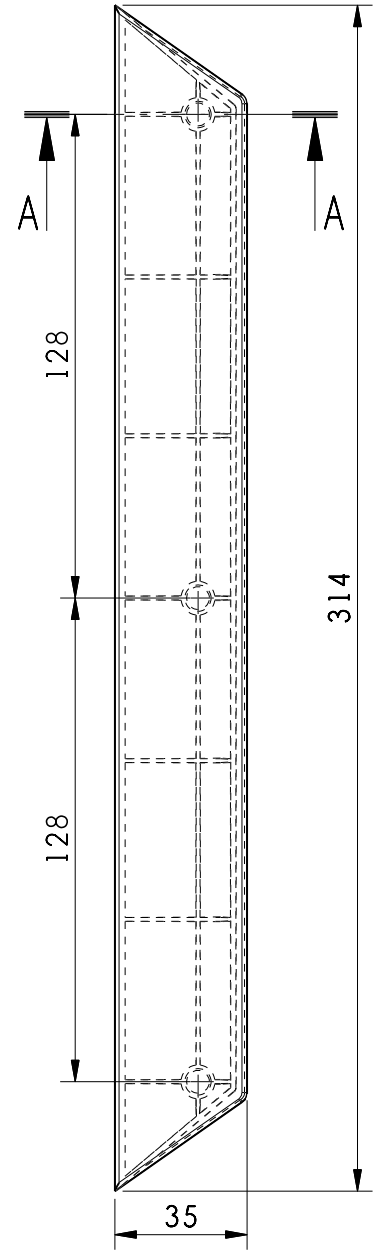
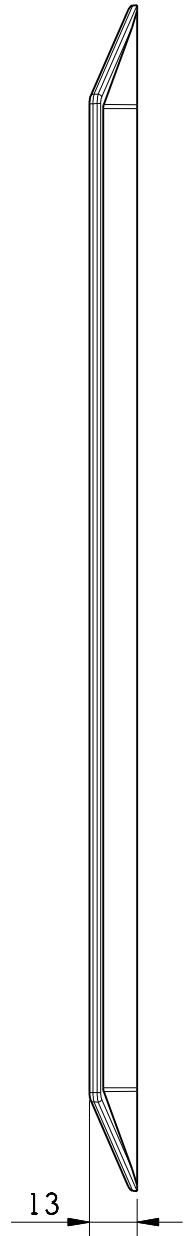
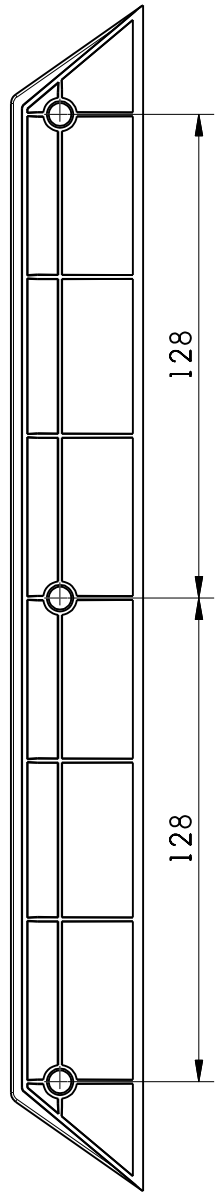
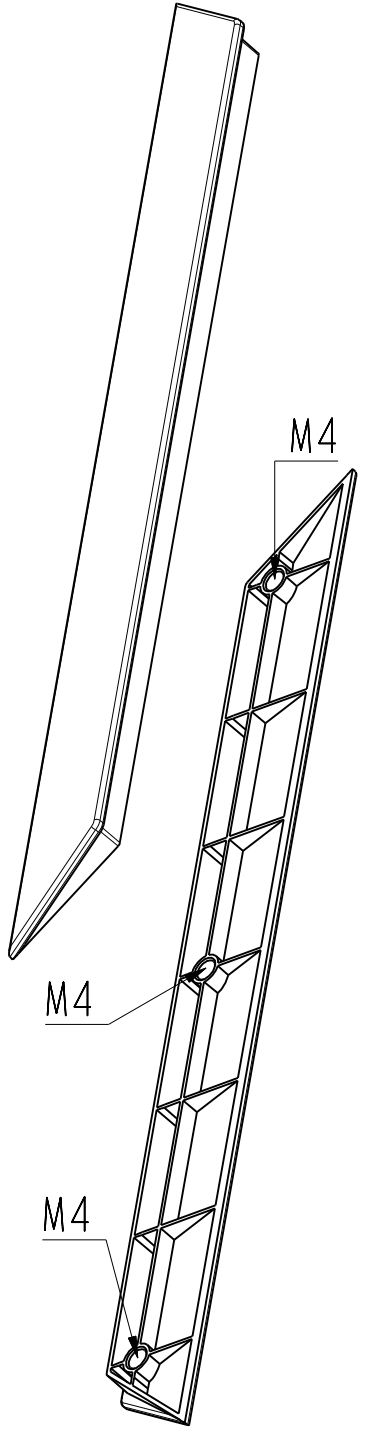
F

G



Sez. A-A

Dettaglio: Scala 1:1



MATERIAL: ABS

REV	POSITION	DESCRIPTION	DATE	NAME
			UNIT mm	TYPE DRAFT DRAWING
ART. 1065314		FILENAME *****	CREATED BY *****	FORMAT A4
PROJECT NAME *****		CLIENT *****	CREATION DATE *****	REVISION ***
			PART CODE	SHEET 1 / 1
			TOOL CODE	*****
			CHECKED BY *****	CHECKED_DATE *****

1 2 3 4 5

1 2 3 4 5

A

B

C

D

E

F

G

A

B

C

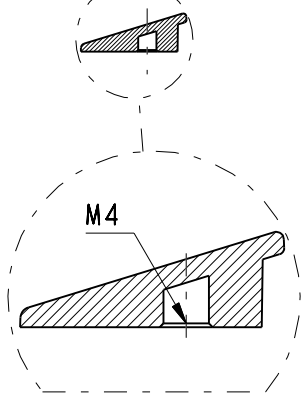
D

E

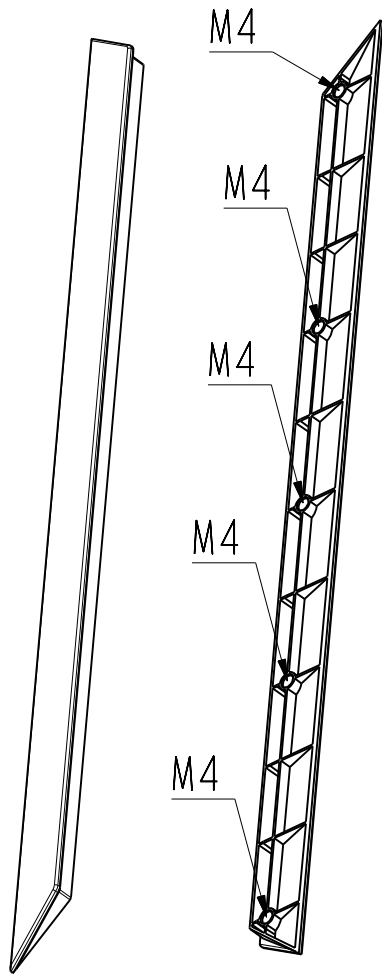
F

G

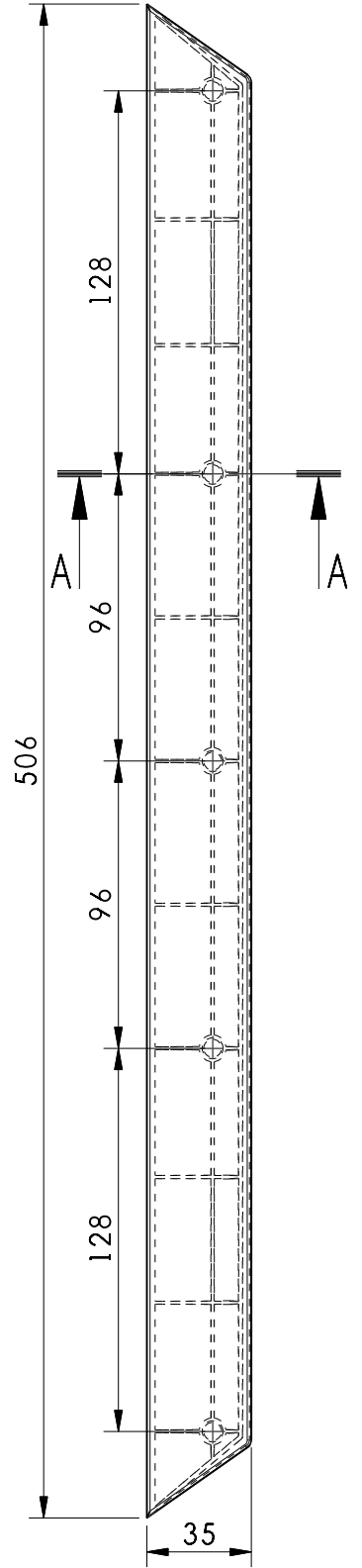
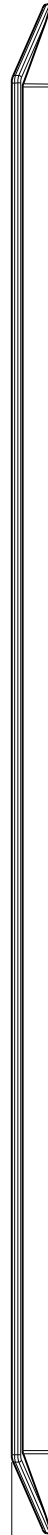
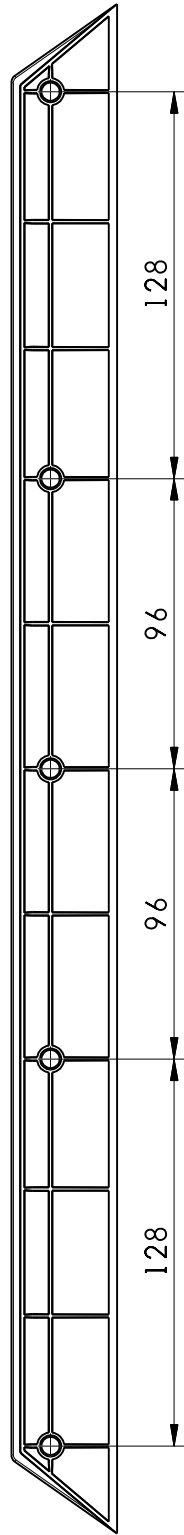
Sez. A-A



Dettaglio: Scala 1:1



MATERIAL: ABS



REV	POSITION	DESCRIPTION	DATE	NAME

		UNIT mm	TYPE DRAFT DRAWING	CREATED BY ****	FORMAT A4	REVISION ***
	FILENAME ****	CLIENT ****		CREATION DATE ****	SCALE 1 : 2.5	SHEET 1 / 1
	ART. 1065506			PART CODE ****	TOOL CODE ****	
PROJECT NAME ****			CHECKED BY ****	CHECKED_DATE ****		

1 2 3 4 5